

RHS100, RHS100D



Accessories: Heatsinks



▶ Main features

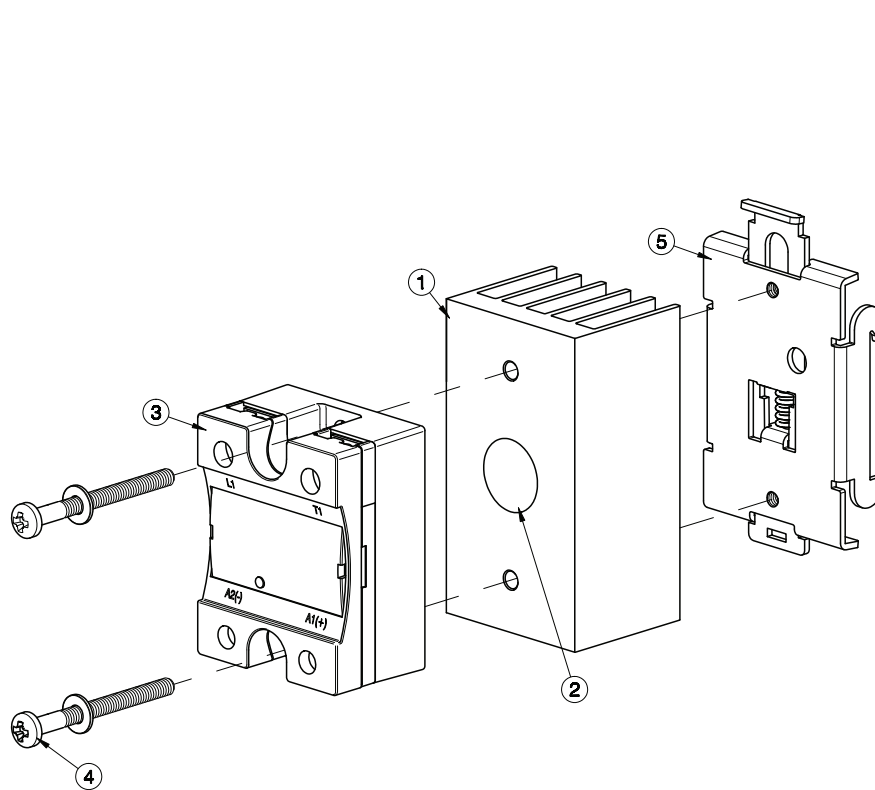
- 3.1°C/W thermal resistance
- Suitable for mounting of 1-phase SSRs
- DIN rail mounting
- Dimensions W x H x D: 44 x 82 x 48 mm
- RoHS compliant

▶ Description

Heatsink assembly suitable for mounting of 1x 1-phase solid state relay (SSR).

Suffix H0 added to SSR part no. refers to factory mounted heatsink. Conditions apply. Please ask your sales representative for further details.

Structure



Element	Component	Qty	RHS100	RHS100D
1	RHS100 heatsink assembly	1	Provided	Provided
2	Thermal Compound HTS02S	1	Provided	Not provided
3	1-phase SSR 45x59mm	1	Not provided	Not provided
4	M5x45mm PZ2 + Washer	2	Provided	Provided
5	RHS100 Assembly (DIN rail adaptor RHS00)	1	Provided	Provided

Note:

* 81mm for RK..C, 92mm for RK..P (including plug).

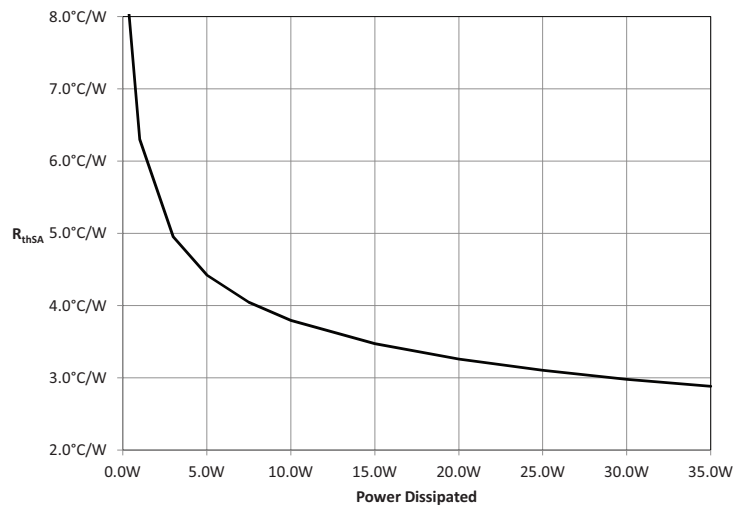
Dimensions including the SSR.

Features

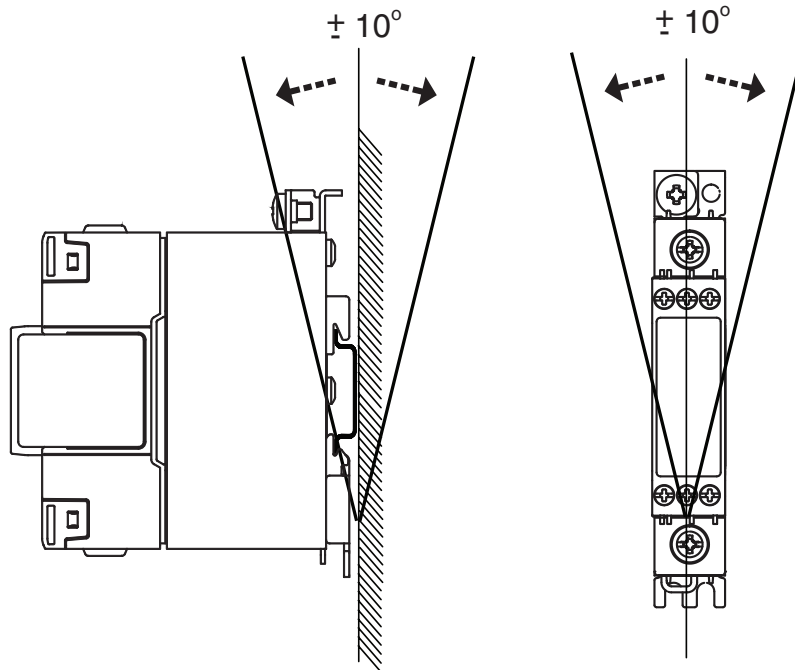
General

SSR max. mounting torque	1.5Nm (13.3 lb-in)
Weight (excl. SSR)	approx. 210g
Material	Aluminium
Finish	Black anodization
Fan mounting	Not possible

Thermal resistance curve



Mounting position



Installation

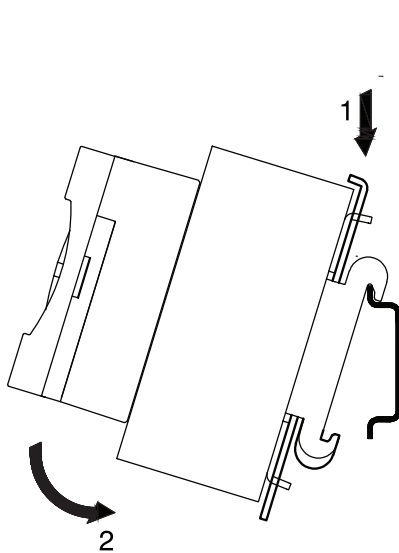


Fig. 1 Mounting on DIN rail

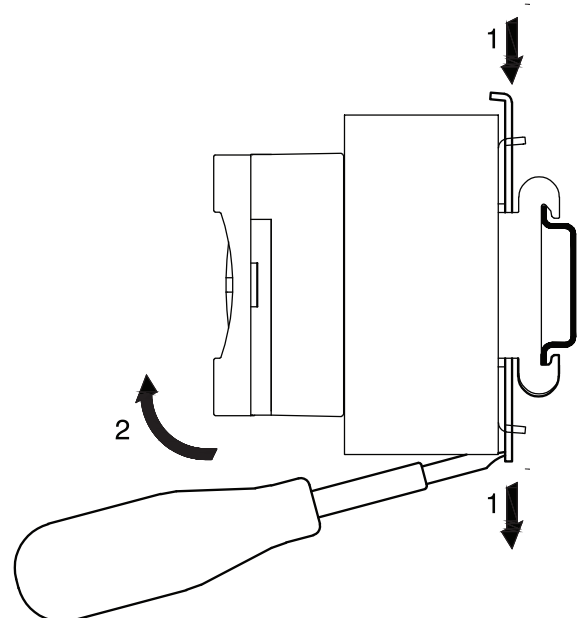


Fig. 2 Dismounting from DIN rail

Illustrations are for example only.

Recommended maximum current rating (per SSR)


1. The below recommendations are only valid when the assembly (SSR + heatsink) is mounted as shown in the mounting instructions unless otherwise indicated.
2. The indicated ratings are applicable to one SSR, one pole. Please refer to the online selector tool at www.productselection.net for different load currents, surrounding temperatures or multiple units on one heatsink.
3. These recommendations are applicable only with the indicated Carlo Gavazzi thermal interface material between SSR and heatsink. In case a different thermal interface is utilised these recommendations may no longer be valid.

Pre-attached phase change paste

1x 2-pole SSR	Surrounding temperature							
	°C °F	20 68	30 86	40 104	50 122	60 140	70 158	80 176
RK 2.. (per pole)	50	21	18.5	16	14	11.5	9	7
	51	22	19.5	17	14.5	12	9.5	7
	75	24.5	21.5	18.5	15.5	13	10	7.5

 Thermal compound, HTS02S

1x 1-phase SSR	Surrounding temperature							
	°C °F	20 68	30 86	40 104	50 122	60 140	70 158	80 176
RA..L RA..T	10	10	10	10	10	9.5	5.5	-
	25	18	17	15	13	9.5	5.5	-
RA..	25	23	21.5	18.5	15.5	12.5	9	-
	50	28	26	22.5	18.5	14.5	11	-
	90	33.5	31	26.5	22	17.5	13	-
	110	36.5	34	29	23.5	18.5	13.5	-
RA60..	50	28	26.5	22.5	19	15	11.5	-
RA2A.. (per pole)	25	15.5	14.5	12	9.5	7	5	-
	40	17	16	13	10.5	7.5	5	-
	25M	15.5	14.5	12	9.5	7	5	-
	40M	17	15.5	13	10.5	7.5	5	-
RS1A..	10	10	10	8.5	7.5	5.5	4	-
	25	25	23.5	20	16	12	8.5	-
	40	28	26	21.5	17	13	9	-
RS1A..E	25	15	14	12	10.5	8.5	6.5	-
	40	16.5	15.5	13.5	11.5	9	6.5	-
RM1A.. RM1B.. RM1C..	25	25	23.5	20	16	12	8.5	-
	50	28	26	21.5	17	13	9	-
	75	33	30.5	25.5	20	15	10.5	-
	100	35.5	33	27	21.5	16	11	-
RM1A60.. RM1B60.. RM1C60.. RM1E60..	50	28.5	26.5	22	18	13.5	9.5	-
RAM1A.. RAM1B.. RM1E..	25	25	23.5	20	16	12	8.5	4.5
	50	28	26	21.5	17	13	9	5
	75	33	30.5	25.5	20	15	10.5	5.5
	100	33	30.5	25.5	20	15	10.5	5.5
	125	35.5	33	27	21.5	16	11	6
RM1D060	10	10	10	10	10	10	10	7
	20	20	20	20	20	19	13.5	7
	50	50	48.5	43	37	30.5	22	11
	100	76	72	63.5	54.5	44.5	32.5	16.5
RM1D200	20	19.5	18.5	17	15.5	13.5	12	9
	50	34.5	33	30.5	27.5	24	20	15.5
RM1D500	10	10	10	10	10	9.5	8	6.5

 Thermal pad, KK071CUT

1x 1-phase SSR	Surrounding temperature							
	°C °F	20 68	30 86	40 104	50 122	60 140	70 158	80 176
RA..L RA..T	10	10	10	10	10	9.5	6	-
	25	17	16	14	12	9.5	6	-
RA..	25	22	20.5	17.5	14.5	12	9	-
	50	26.5	24.5	21	17.5	14	10.5	-
	90	31	29	24.5	20.5	16	12	-
	110	34	31.5	27	22	17.5	13	-
RA60..	50	26.5	25	21.5	18	14.5	11	-
RA2A.. (per pole)	25	16	14.5	12	9.5	7.5	5	-
	40	17.5	16	13.5	10.5	8	5	-
	25M	16	14.5	12	9.5	7.5	5	-
	40M	17.5	16	13	10.5	8	5	-
RS1A..	10	10	9.5	8.5	7	5.5	3.5	-
	25	23.5	22	18.5	15	11.5	8	-
	40	26	24	20	16	12	8	-
RS1A..E	25	14	13	11.5	9.5	8	6.5	-
	40	15	14	12.5	10.5	8.5	6.5	-
RM1A.. RM1B.. RM1C..	25	23.5	22	18.5	15	11.5	8	-
	50	26	24	20	16	12	8	-
	75	30	28	23	18.5	14	9.5	-
	100	32.5	30	25	20	15	10	-
RM1A60.. RM1B60.. RM1C60.. RM1E60..	50	26.5	24.5	20.5	16.5	12.5	8.5	-
RAM1A.. RAM1B.. RM1E..	25	23.5	22	18.5	15	11.5	8	4.5
	50	26	24	20	16	12	8	4.5
	75	30	28	23	18.5	14	9.5	5.5
	100	30	28	23	18.5	14	9.5	5.5
	125	32.5	30	25	20	15	10	5.5
RM1D060	10	10	10	10	10	10	10	6.5
	20	20	20	20	20	18	13.5	6.5
	50	49	47	41.5	36	29.5	21.5	11
	100	72.5	69	61	52.5	43	31.5	16
RM1D200	20	18.5	18	16.5	15	13.5	11.5	9
	50	33	31.5	29	26.5	23.5	20	15.5
RM1D500	10	10	10	10	10	9	8	6.5



References

CARLO GAVAZZI compatible components

Purpose	Component name/code	Notes
Thermal pads	KK071CUT	Packing qty. 50 pcs.
Thermal compound	HTS02S	2.38 ml sachet of silicon based thermal compound
DIN rail adaptor	RHS00	-

Further reading

Information	Where to find it
Online heatsink selector tool	https://gavazziautomation.com/nsc/hq/en/solid_state_relays
Accessories	https://gavazziautomation.com/images/PIM/DATASHEET/ENG/SSR_Accessories.pdf

Order code



RHS100

Enter the code entering the corresponding option instead of

Code	Option	Description
R	-	
H	-	
S	-	
1	-	
0	-	
0	-	
<input type="checkbox"/>		With thermal compound
	D	Thermal compound not included



COPYRIGHT ©2020
Content subject to change. Download the PDF: <https://gavazziautomation.com>